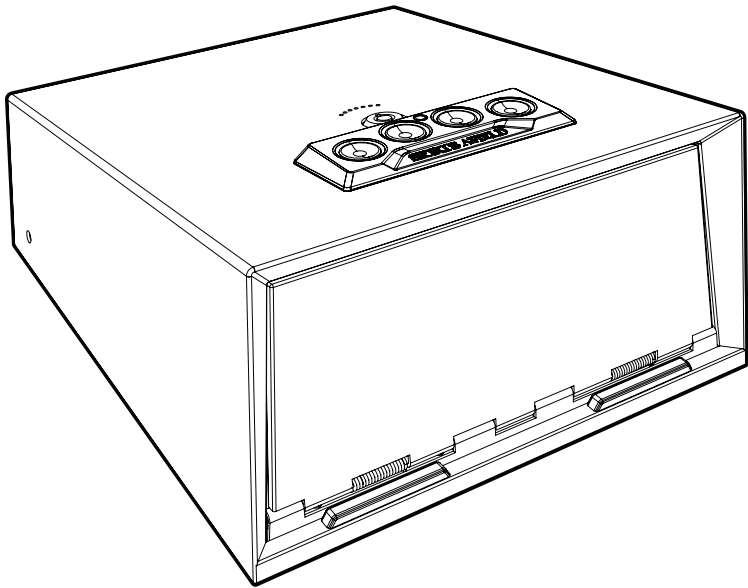


# SPORTS AFIELD®

Established 1887

## LIGHTNING VAULT™ SIDE ACCESS SINGLE HANDGUN

MODEL NUMBER | SA-RV2



### IMPORTANT :

Please read this information and follow all safety rules carefully before operating your vault. Failure to do so will void your warranty.

**INSTRUCTION  
MANUAL**

# IMPORTANT INFORMATION

## ATTENTION

---

**PLEASE READ THIS INFORMATION CAREFULLY BEFORE OPERATING YOUR SPORTS AFIELD LIGHTNING® HANDGUN VAULT.**

**DO NOT LOCK THIS MANUAL OR THE OVERRIDE ACCESS KEYS IN YOUR VAULT.**

Thank you for choosing a Sports Afield Lightning® Handgun Vault to protect your valuables. We are committed to securing, organizing and protecting your most important documents, valuables and keepsakes.

Your handgun vault is built to last a lifetime. However, please understand that the locking mechanism has precision parts. If you experience ANY difficulty opening or closing your vault, DO NOT FORCE THE HANDGUN VAULT OPEN. Doing so may jam the components in the lock, which will require a safe technician to unlock your vault. This causes an inconvenience for both you the owner, and may lead to a claim denial.

If you experience problems or challenges with your vault, then please contact us. Many issues can be quickly resolved without the product being returned.

**Consumer Service - (888) 792-4264**

# SAFETY & SECURITY

## WARNINGS

---

Always follow proper weapon and local laws when storing a weapon. SA Consumer Products strongly recommends that you do not store **LOADED** guns in this unit.

## WARNINGS

---

Always follow the firearm safety rules set out by the firearm's manufacturer.

## WARNINGS

---

The Lightning® Handgun Vault or any other firearm storage device cannot take the place of other safety procedures including advising children of the dangers of firearms.

## WARNINGS

---

### **YOUR VAULT IS ONLY PART OF YOUR TOTAL SECURITY PROTECTION.**

SA Consumer Products recommends that you store your vault in a closet, office, basement, bedroom or any other location that is convenient for you but out of direct line of sight from prying eyes. The location of the vault is very important and the outmost care should be taken during this consideration.

## WARNINGS

---

SA Consumer Products and its distributors of the Lightning® Handgun Vaults do not recommend, suggest, advise, promote, or otherwise condone the ownership or use of firearms. We believe the decision to own or use a firearm is a serious decision that should only be made by an adult who has carefully considered the risks and benefits of such a decision.

## WARNINGS

---

Keep your combination number and keys in a secure place, away from children. Keep a record of your combination number and three or four digit key and lock number in a secure place separate from your vault. You will need this information along with your proof of purchase to obtain technical assistance and replacement keys.

# TABLE OF CONTENTS

## 1 SECTIONS

---

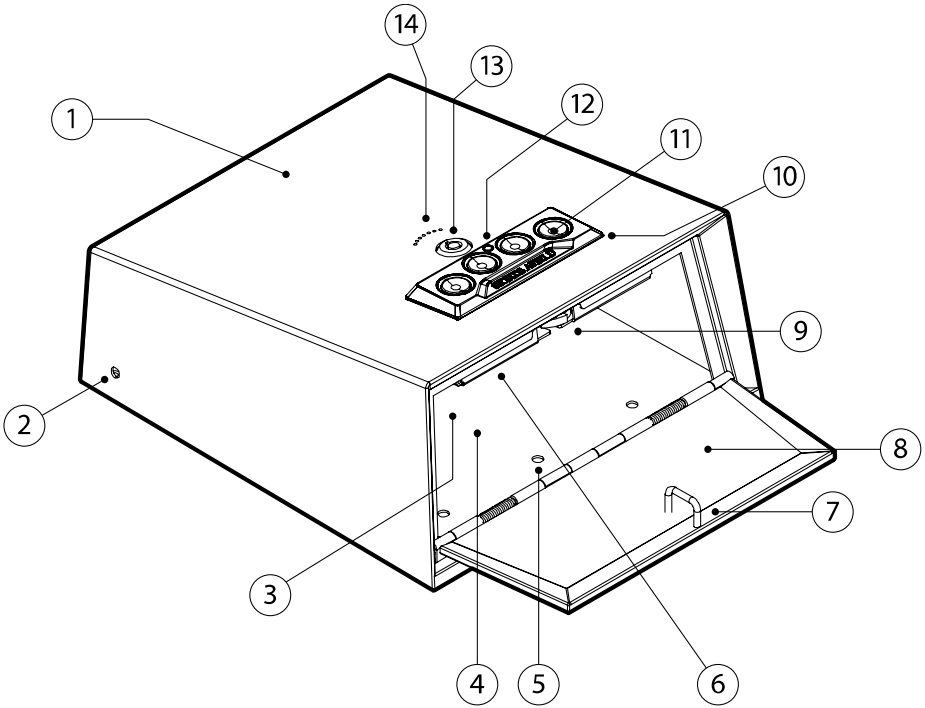
2	PACKAGE CONTENTS .....	3
3	FEATURES.....	4
4	SECURING YOUR KEYS.....	5
5	PREPARING FOR FIRST TIME USE .....	5
6	INSTALLING THE BATTERY (9V) .....	5
7	USING THE KEYPAD FOR THE FIRST TIME .....	6
8	PROGRAMMING YOUR UNIQUE ACCESS CODE .....	7
9	QUITE MODE – SILENT OPERATION .....	8
10	ACCESSING THE TAMPER INDICATOR .....	8
11	SECURITY LOCKOUT MODE .....	9
12	INTERIOR ILLUMINATION.....	9
13	BOLT DOWN INSTRUCTIONS.....	9
14	SECURITY CABLE INSTRUCTIONS.....	11
15	MAINTENANCE.....	11
16	HOW TO OBTAIN LOST KEYS .....	12
17	NOTES .....	12
18	WARRANTY .....	13

## 2 PACKAGE CONTENTS

---

- Sports Afield Lightning® Handgun Vault
- Bolt Down Kit
- Manual Keys x 2
- Sports Afield Key Chain
- Owner’s Manual
- Sports Afield Magazine Subscription

# PRODUCT OVERVIEW



## 3 FEATURES

---

- 1. Handgun Vault body
- 2. Security Cable Knock-Out Feature
- 3. Battery Housing
- 4. Handgun Vault Interior
- 5. Bolt Down Holes
- 6. Interior LED
- 7. Locking Tongue
- 8. Rubber Door Liner
- 9. Locking Mechanism and Housing
- 10. Keypad
- 11. Rubber Buttons
- 12. Indicator Light
- 13. Backup Key
- 14. Speaker Holes

# GETTING STARTED

## 4 SECURING YOUR KEYS

---

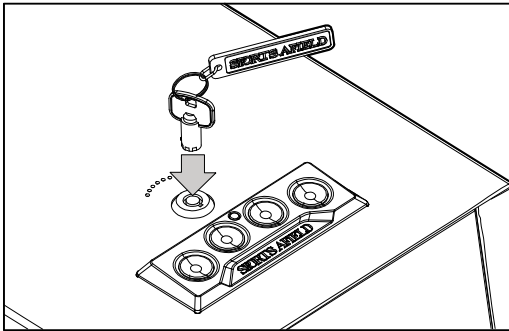
**REMOVE YOUR KEYS FROM THE PACKAGING AND SECURE THEM. REMEMBER NEVER LOCK THE KEYS IN THE HANDGUN VAULTS.**

Think carefully about the location and storage of the handgun vault keys. If the key for this vault is on your key chain, an unauthorized person might gain access to it. Never hide or leave Sports Afield Lightning® Handgun Vault keys where children could gain access to them. If you have a safety deposit box, one key could be kept there in case you lose the other one.

## 5 PREPARING FOR FIRST TIME USE

---

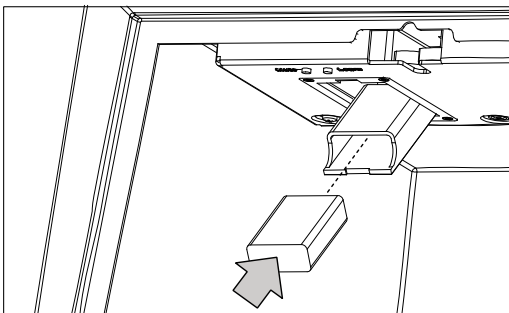
**NOTE: Do not lock key inside the vault – this is an override key and will open the vault in the event that you have lost your code.**



1. Insert key into keyhole and turn. The door will unlock and spring open. Make sure the area is clear directly in front of the door to prevent any unnecessary damage to handgun vault.

## 6 INSTALLING THE BATTERY (9V)

---



1. Locate the hinged battery door cover on the underside of the locking housing inside the vault. To unlatch, press the tab on the one end and pivot the door.

2. Align the 9V battery so the terminals enter the housing first and gently slide the battery in until it comes to a stop. If the battery is inserted incorrectly the battery door will not close. **Do Not Force the Door Closed.**
3. With the battery in place, close the battery door cover. You will hear a snap indicating the door is properly closed.

**NOTE: The battery is to be inserted with the correct polarity. Exhausted batteries are to be removed from the product and discarded safely.**

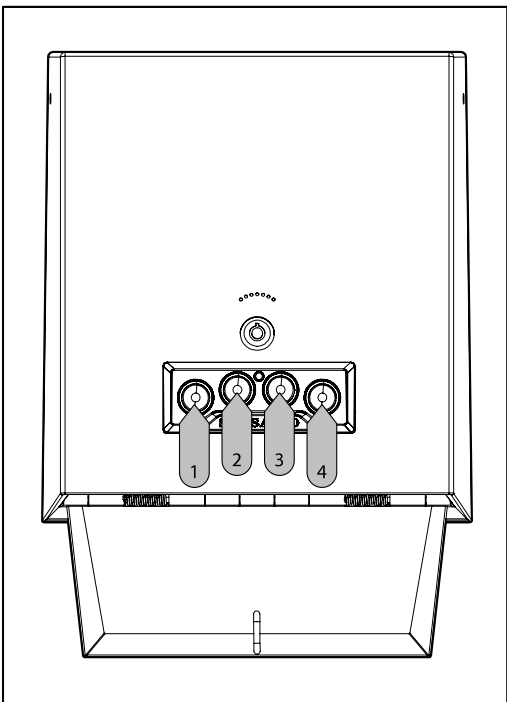
**NOTE: After replacing the battery, the vault will revert to the factory-default access code (1-2-3-4). You will have to re-program your unique access code.**

## 7 USING THE KEYPAD FOR THE FIRST TIME

---

After successfully installing the battery, you can safely close the vault door. Make sure your keys are not located inside.

All Sports Afield Lightning® Handgun Vaults come with a built-in Factory code of 1-2-3-4 (from left to right).



1. Locate the keypad. The keypad contains four rubberized buttons and an indicator light. When operational the keypad illuminates making it easy to see and use in all situations.
2. The buttons will always glow red, and the indicator light will glow either green or red, depending upon the function being utilized.
3. The keypad also includes a speaker which produces audible beeps depending upon the function being utilized. Please note, if the vault is in mute mode you will not hear any audible beeps.
4. Now enter the Factory code (1-2-3-4). Upon pressing the first button the keypad will illuminate.

5. If successful the door should spring open and you should have seen the indicator light flash 4 green lights and the speaker produce 4 audible beeps.

6. If the door did not open, try the code again but this time slower.

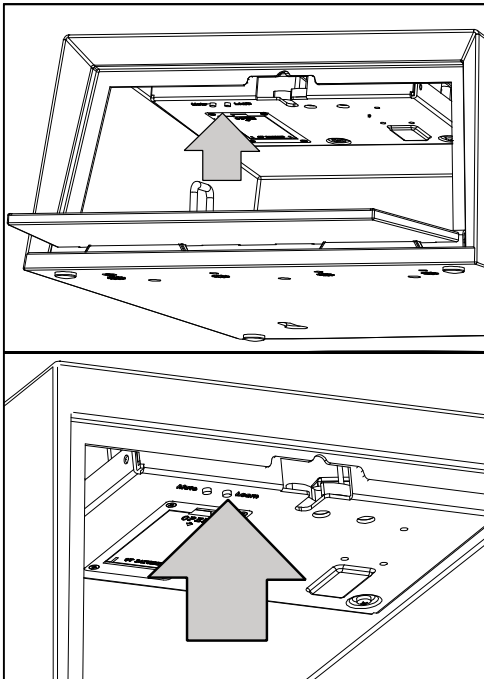
## 8 PROGRAMMING YOUR UNIQUE ACCESS CODE

---

**IMPORTANT. IT IS NECESSARY TO RE-PROGRAM YOUR VAULT WITH A NEW ACCESS CODE YOU HAVE PERSONALLY SELECTED TO PROVIDE MAXIMUM SECURITY.**

An access code is a series of entries on the keypad. An “entry” is a single press of one or more buttons at the same time. For each entry you may choose one, more than one, or ALL of the buttons on the keypad in combination. You can use a minimum of 3 entries or a maximum of 8 for your unique access code. Choose an access code which is easy to use, but difficult to guess. A poor example for a secure access code would be something 1-1-1-1 or 4-3-2-1-1-2-3-4.

**BE CAREFUL IN CHOOSING YOUR ACCESS CODE. YOU’LL WANT TO BE SURE THAT YOU CAN OPERATE THE UNIT QUICKLY WITHOUT MAKING AN ENTRY ERROR.**



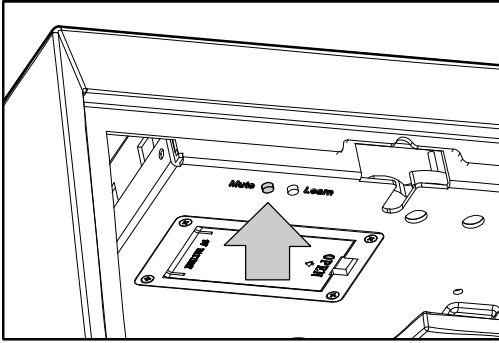
1. Press and hold the LEARN button for two seconds. You will see the indicator light flash green and hear a single beep indicating the keypad is in LEARN mode.
2. Enter your new code. The indicator light will flash green and a beep will be heard on each successful ENTRY.
3. Once complete, press and hold the LEARN button again for two seconds. You will hear a single beep and the indicator light will turn red indicating the keypad is in CONFIRM mode.
4. Re-enter your new code. Once complete, press and hold the LEARN button again for two seconds. Release the learn button and the indicator light will flash five times and you will hear five beeps.

5. If the indicator light flashed red three times and you heard three beeps an error has occurred. You will need to start over, go to Step 1 and follow the

instructions until you are successful. If you are pressing multiple buttons for a single entry, this can be difficult and you may want to consider another code until you are practiced and confident in how the buttons feel and operate.

## 9 QUIET MODE – SILENT OPERATION

---

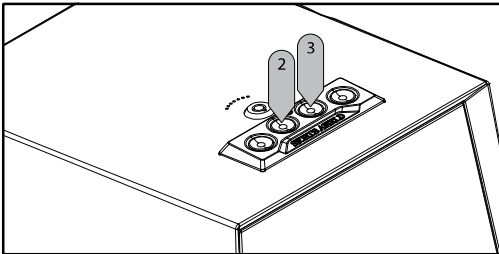


1. To mute, press and hold the MUTE button for two seconds. The indicator light will flash green confirming you are in MUTE mode.
2. To exit MUTE mode, press and hold the MUTE button for two seconds. The indicator light will flash red and a beep will be heard indicating mute mode was successfully exited.
3. Note: If the battery is removed or power is drained, the keypad will always default to being audible.

## 10 ACCESSING THE TAMPER INDICATOR

---

The tamper indicator feature is built-in to every Sports Afield Lightning® Handgun Vault providing additional levels of security. This feature will allow you to see if anyone has tried to gain access to your vault without your permission. Anytime an invalid access code is entered, the tamper indicator mode is initiated.



1. To access the tamper indicator feature, press and hold buttons two and three for five seconds.
2. If tampering has been detected, the red light will glow until buttons two and three are released.
3. If tampering has not been detected, the green light will glow until buttons two and three are released.

## 11 SECURITY LOCKOUT MODE

---

All Sports Afield Lightning® Handgun Vaults are programmed with a security lockout protocol. If 24 consecutive incorrect entries are entered the vault will be locked out and inaccessible for two minutes. During this time, if a button is pressed, the indicator light will blink red three times and you will hear three beeps. Once the time has been elapsed, you can then safely enter the correct access code.

**NOTE: THE OVERRIDE KEYS MAY BE USED TO OPEN THE VAULT DURING THE SECURITY LOCKOUT MODE.**

## 12 INTERIOR ILLUMINATION

---

All Sports Afield Lightning® Handgun Vaults come with interior lighting (red LED) providing a clear view of the contents in your vault. When an access code has been used to open the vault, the interior light will shine for five seconds after which it will turn off to conserve battery life.

# SECURITY AND MAINTENANCE

## 13 BOLT DOWN INSTRUCTIONS

---

**WARNING: DO NOT DRILL FROM ANY LOCATION INSIDE THE VAULT.**

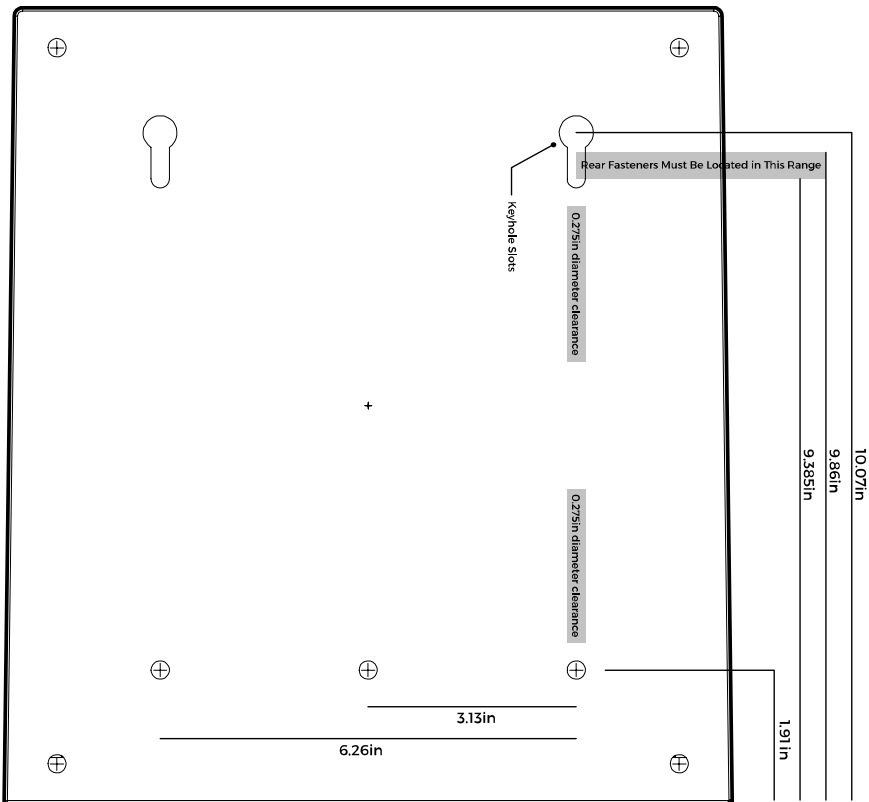
**IMPORTANT: THE LOCATION OF THE VAULT IS VERY IMPORTANT AND THE OUTMOST CARE SHOULD BE TAKEN DURING THE INSTALLATION PROCESS. MAKE SURE THE VAULT IS SAFELY OUT OF REACH OF CHILDREN AND THAT THERE IS ADEQUATE CLEARANCE AROUND THE KEYPAD AND DOOR.**

**NOTE: TO MOUNT THE VAULT ONTO ANY OTHER SURFACE OTHER THAN WOOD, PLEASE USE THE APPROPRIATE HARDWARE AND TAKE THE APPROPRIATE PRECAUTIONS FOR THAT UNIQUE LOCATION.**

**TOOLS NEEDED TO BOLT VAULT TO A WOOD SURFACE**

- DRILL
- DRILL BIT – 1/16" ( for installing onto a wood surface)
- SCREWDRIVER ( PHILLIPS )

# REAR



# FRONT

1. Remove the rubber feet prior to fastening the vault to the mounting surface. Failing to do so could compromise the security.
2. Position your vault into the ideal location making sure there is clearance both under and in front of the vault for the door to open.
3. While the vault is in position, open the door to expose the inside. Gently pull back the foam lining (on the bottom of the vault) exposing the holes underneath.
4. Mark the two keyholes near the back edge. You will want the fastener to be positioned along the narrower slot portion of the keyhole.
5. Next, mark one of the holes near the front edge, preferably the center if your installation location allows.
6. Remove the vault from its location and drill the appropriate diameter and depth of pilot holes depending on the type of hardware being used and the type of mounting surfaces.

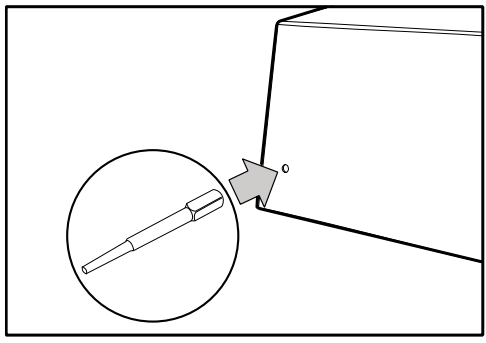
7. Drive the fasteners into the two keyhole slot leaving just enough room between the head of the fastener and the mounting surface to slide the vault under the fasteners head.
8. Next, align the fasteners with the two keyholes and lower, sliding the vault into the desired location.
9. Drive the remaining fastener(s) into the remaining hole(s) as desired, securing the Sports Afield Lightning® Handgun Vaults in place.
10. Lastly, reposition the foam lining and secure the door.

## 14 SECURITY CABLE INSTRUCTIONS

---

**NOTE: YOUR VAULT DOES NOT COME WITH A SECURITY CABLE. PLEASE NOTE IT HAS BEEN DESIGNED TO ACCOMMODATE A ¼" ATTACHMENT MECHANISM.**

This Sports Afield Lightning® Handgun Vaults is designed with the attachment means to install a security cable if desired.



1. To install a security cable, a punch or nail set and hammer will be needed to remove the KNOCK-OUT feature.
2. Align the punch with the desired KNOCK-OUT and gently tap with a hammer to remove the KNOCK-OUT tab.
3. You will want to remove the KNOCK-OUT tab. Carefully lift the foam and find the little piece.

4. Follow the security cable factory instructions to install onto your Sports Afield Lightning® Handgun Vault.

## 15 MAINTENANCE

---

### LOW BATTERY WARNING

- If your battery is drained, seven red flashes and seven audible beeps will be seen and heard when a valid access code has been entered.
- Replace the battery on an annual basis regardless of whether you see the low battery indicator.
- To replace the battery, follow the instruction in section 8.

**NOTE: After replacing the battery, the vault will revert to the factory-default access code (1-2-3-4). You will have to re-program your unique access code. Follow the instructions in section 8.**

## **LUBRICATION**

- Occasionally, it may be necessary to lightly coat the door hinge springs with a good quality oil.
- To do so, open the door and wipe a small amount of oil over the springs.

## **16 HOW TO OBTAIN LOST KEYS**

---

Please go to our website [www.sportsfieldsafes.com](http://www.sportsfieldsafes.com) to find the necessary replacement form. If you are unable to use a computer, then please call the number below to talk with our consumer service representative. Please have your matching three or four digit key and lock numbers available.

**Consumer Service - (888) 792-4264**

## **17 NOTES**

---

# 18 WARRANTY

---

## LIMITED LIFETIME WARRANTY

SA Consumer Products, Inc. will repair or replace, at the sole discretion of SA Consumer Products, Inc., any Sports Afield Lightning® Handgun Vault damaged by fire, forced entry, forced attack or natural flood during the lifetime of the original owner. This lifetime warranty is limited to the vault and expressly excludes any loss associated with the contents of the vault. SA Consumer Products, Inc. will also pay the freight to ship the new replacement vault to our customer.

SA Consumer Products, Inc. reserves the right to receive full evidence of your misfortune, such as a police report and/or homeowner's statement of coverage. This warranty is not valid outside of the United States.

Proof of purchase and copy of sales receipt must be made available at the time of claim.

## THREE YEAR PRODUCT WARRANTY

SA Consumer Products, Inc. warrants your new Sports Afield Lightning® Handgun Vault to be free from defects in workmanship and materials for THREE (3) years from the date of purchase. SA Consumer Products, Inc. shall only be responsible and liable when the vault is used in compliance with the directions specified with your new Sports Afield Lightning® Handgun Vault.

SA Consumer Products, Inc. shall guarantee the original lock for THREE (3) years for full replacement at no cost to the purchaser.

SA Consumer Products, Inc. warrants the painted surface of the vault to be free from rust for THREE (3) years from the date of purchase.

SA Consumer Products, Inc. requires that specific guidelines be followed: if factory replacement is necessary (at SA Consumer Products, Inc.'s sole discretion), the replacement will be shipped freight prepaid, curbside delivery.

**This warranty is inclusive and is in lieu of any and all other warranties, express or implied. Specifically excluded are the warranties of merchantability and fitness for a particular purpose. This warranty is limited to the vault itself and/or its value and does not include consequential damages of any kind including, but not limited to, the contents in and of the vault.**

# SPORTS AFIELD®

Established 1887



1-888-792-4264

If you have a question about your Sports Afield Lightning Handgun Vault, call the SA Consumer Service team with your proof of purchase.

For any additional information please visit our website  
[www.sportsafieldsafes.com](http://www.sportsafieldsafes.com)

## **Thank you for choosing a Sports Afield Lightning Handgun Vault.**

This vault is built to protect you for a lifetime. However, please understand that your vault has precision parts. If you experience ANY difficulty opening or closing your vault, contact the SA Consumer Products- Consumer Service Team first. **DO NOT FORCE ANYTHING OPEN.** Doing so may jam the components in the lock, which will require a safe technician to unlock your vault. This will cause an inconvenience to you and may lead to a claim denial.

### **SA Consumer Products - Consumer Service Team**

4602 20th St. East

Fife, WA 98424

1-888-792-4264 | Monday- Friday 8am-4:30pm (PST)

[saconsumerservice@sportsafieldsafes.com](mailto:saconsumerservice@sportsafieldsafes.com)

### **SA Consumer Products, Inc.**

3305 W. 132nd ST

Leawood, KS 66209

[www.sportsafieldsafes.com](http://www.sportsafieldsafes.com)